

DPF

Data Sheet





DPF

DPF with built-in anti-collision sensor

The Desk Panel DPF is a perfect choice for a wide range of office desks, TV lifts, mobile carts, monitor stands, and workstations with a demand for either just up and down drive, or up and down drive and memory. These desk panels feature a classic design and user-friendly up/down buttons shaped for intuitive operation. The DPF is available in black and white. The front cover and the foil can optionally be customised.

The DPF is available as

- a compact up/down variant (DPF1K)
- a variant with 2 references (DPF2K)
- a variant with 3 references (DPF3K)
- an up/down variant with memory function (DPF1M)

The DPF1K is also available in a version with built-in anti-collision sensor which limits material damage to a desk or an object if a collision occurs during driving of the desk. It detects tilting as well as collision with both hard and soft obstacles.

Features/Accessories/Options/Compatibility/Usage

Features

- Variants:
 - DPF1K:
 - Up/down drive
 - Up/down drive; built-in anti-collision sensor; integrated 90° mounting bracket
 - DPF2K:
 - Up/down drive; 2 references
 - DPF3K
 - Up/down drive; 3 references
 - DPF1M:
 - Up/down drive; 3 memory positions
- Colour:
 - black (RAL 9005)
 - white (RAL 9016)
- Cable: Black, 1700 mm, straight

Accessories

- 90° or 45° mounting bracket

Options

- Customised foil

Compatibility

- DESKLINE® control boxes
- DL IC systems

Usage

- For indoor use in dry locations

Parameter	Operation	Storage and transportation
Temperature	10 to 40 °C	-10 to +50 °C
Relative humidity	20% to 80% - non-condensing	20% to 80% - non-condensing
Atmospheric pressure	800 to 1060 hPa	700 to 1060 hPa
Altitude	Max. 2000 m	N/A

- Approved in accordance with EN 60335-1 and UL962

Ordering

DPF

	DPF	
CHANNELS	1	1 = One reference 2 = Two references 3 = Three references
TYPE	K	K = Up and down M = Up and down with memory
OPTION	0	0 = Standard
VERSION	0	0 = Standard 2 = With built-in anti-collision sensor (option for 1K variant)
OPTION	-	- = Standard
MOUNTING BRACKET	0	0 = Standard
FRONT COVER *	1	0 = Black (RAL 9005) 2 = White (RAL 9016) - only for 1K variant
OPTION	0	0 = Standard
HOUSING COLOUR *	0	0 = Black (RAL 9005) 2 = White (RAL 9016) - only for 1K variant
OPTION	0	0 = Standard
CABLE	6	6 = 1700 mm (+/-70mm) straight cable with modular jack

DPF1K00-010006

* The front cover and the housing are always the same colour.
For sensors with built-in anti-collision sensor, the sensor housing colour is always black

Mounting bracket



The mounting bracket must be ordered separately.
DPF with built-in anti-collisions sensor comes with an integrated 90° mounting bracket.

Mounting brackets (delivered in bags of 100 pieces)

Article number	Description
914759	90° bracket for mounting with no distance to the tabletop
914757	90° bracket for mounting with distance to the tabletop
914760	45° bracket for mounting on a straight tabletop front
914785	45° bracket for mounting on an angled tabletop front

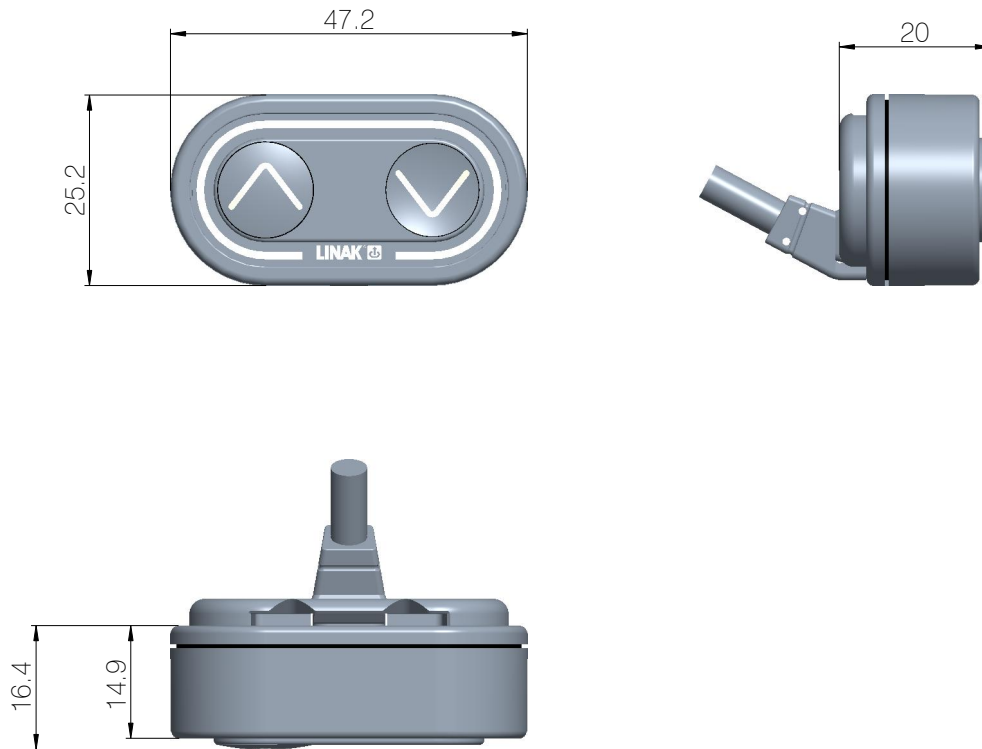
See also [Dimension drawings](#).

Dimension drawings

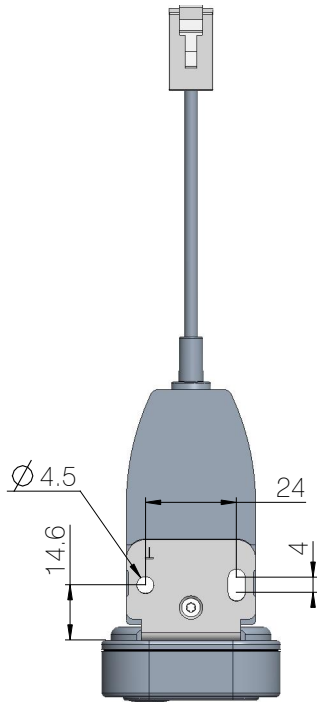
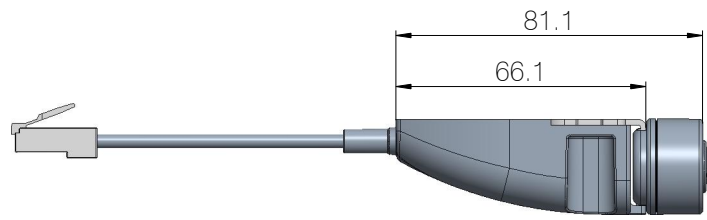
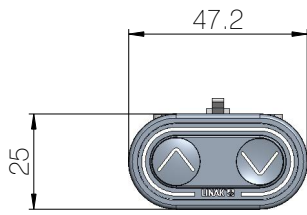


All dimensions are in mm.

DPF1K

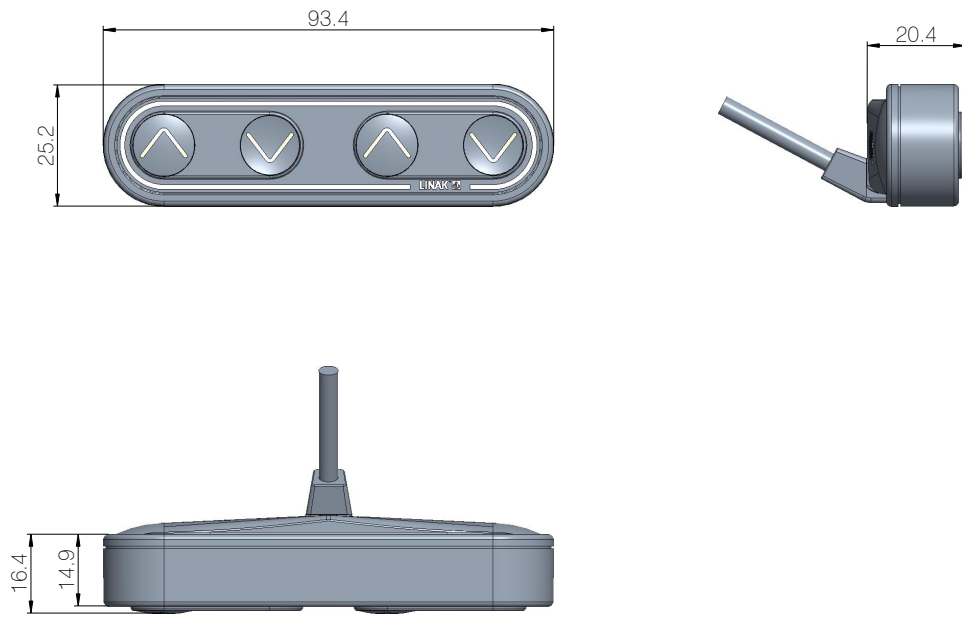


Drawing no. 09144009

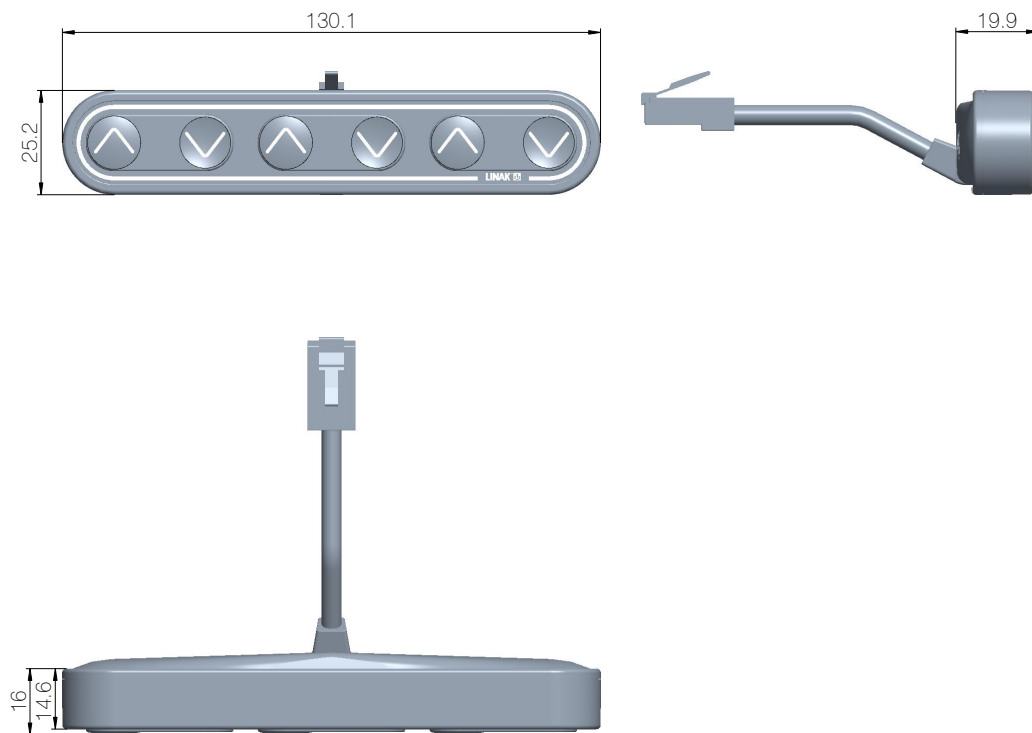
DPF1K with built-in anti-collision sensor

With integrated 90° bracket (914759)

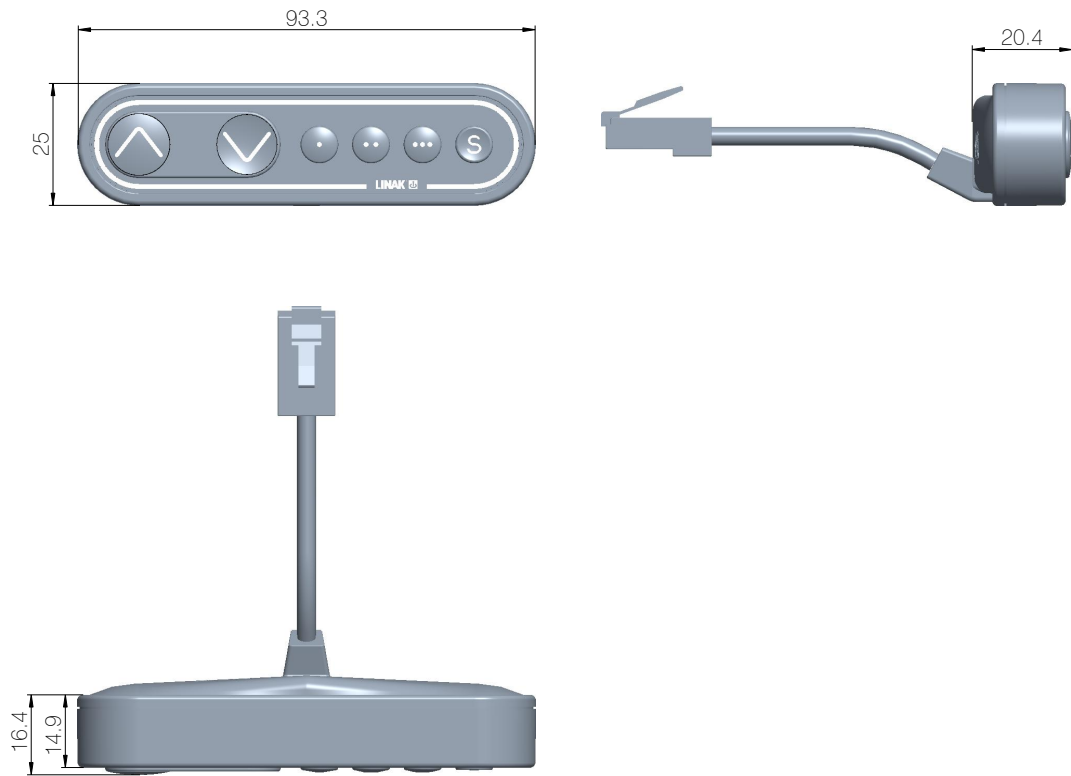
Drawing no. 09144008

DPF2K

Drawing no. 09144017

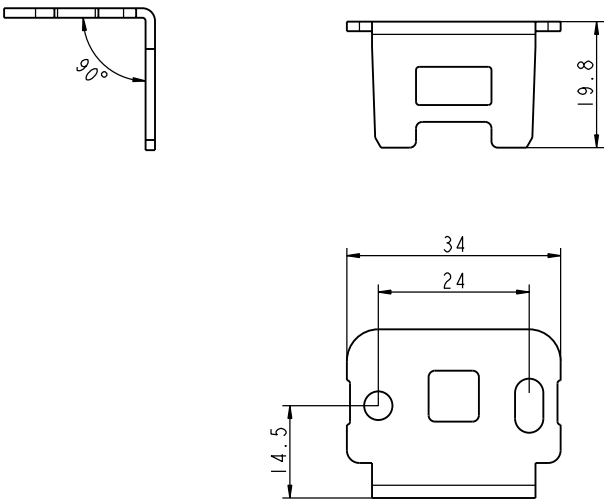
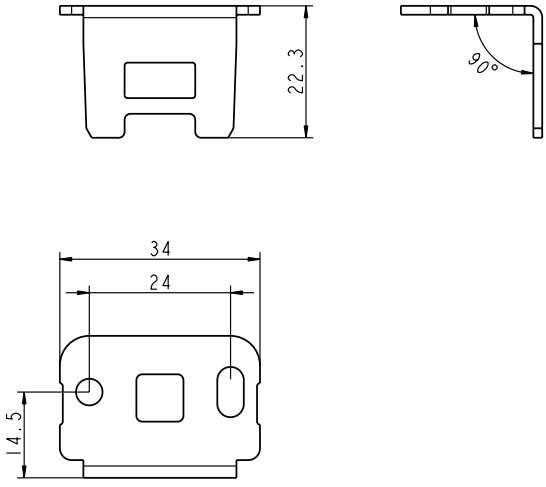
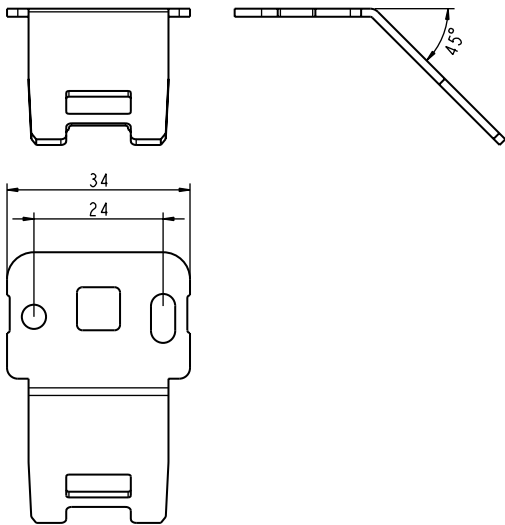
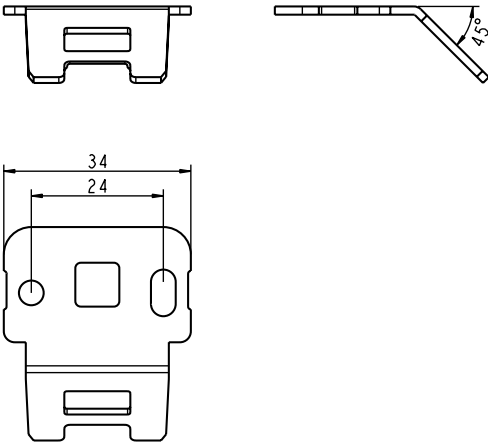
DPF3K

Drawing no. 09144014

DPF1M

Drawing no. 09144013

Mounting brackets

Article number 914759	Article number 914757
 <p data-bbox="539 792 778 824">Drawing no. 914951</p>	 <p data-bbox="1225 792 1465 824">Drawing no. 914951</p>
Article number 914760	Article number 914785
 <p data-bbox="539 1458 778 1489">Drawing no. 914952</p>	 <p data-bbox="1225 1458 1465 1489">Drawing no. 914952</p>

Contacts

FACTORIES

Denmark - Headquarters
LINAK A/S
Phone: +45 73 15 15 15
Fax: +45 74 45 80 48
Fax (Sales): +45 73 15 16 13
Web: www.linak.com

China
LINAK (Shenzhen) Actuator Systems, Ltd.
Phone: +86 755 8610 6656
Phone: +86 755 8610 6990
Web: www.linak.cn

Slovakia
LINAK Slovakia s.r.o.
Phone: +421 51 7563 444
Web: www.linak.sk

Thailand
LINAK APAC Ltd.
Phone: +66 33 265 400
Web: www.linak.com

USA
LINAK U.S. Inc.
Americas Headquarters
Phone: +1 502 253 5595
Fax: +1 502 253 5596
Web: www.linak-us.com
www.linak-latinamerica.com

SUBSIDIARIES

Australia
LINAK Australia Pty. Ltd
Phone: +61 3 8796 9777
Fax: +61 3 8796 9778
E-mail: sales@linak.com.au
Web: www.linak.com.au

Austria
LINAK Zweigniederlassung - Österreich (Wien)
Phone: +43 (1) 890 7446
Fax: +43 (1) 890 744615
E-mail: info@linak.de
Web: www.linak.at - www.linak.hu

Belgium
LINAK Actuator-Systems NV/SA
(Belgium & Luxembourg)
Phone: +32 (0)9 230 01 09
E-mail: beinfo@linak.be
Web: www.linak.be - www.fr.linak.be

Brazil
LINAK Do Brasil Comércio De Atuadores Ltda.
Phone: +55 (11) 2832 7070
Fax: +55 (11) 2832 7060
E-mail: info@linak.com.br
Web: www.linak.com.br

Canada
LINAK Canada Inc.
Phone: +1 502 253 5595
Fax: +1 416 255 7720
E-mail: info@linak.ca
Web: www.linak-us.com

Czech Republic
LINAK C&S s.r.o.
Phone: +42 058 174 1814
Fax: +42 058 170 2452
E-mail: info@linak.cz
Web: www.linak.cz - www.linak.sk

Denmark - International
LINAK International
Phone: +45 73 15 15 15
E-mail: info@linak.com
Web: www.linak.com

Denmark - Sales
LINAK Danmark A/S
Phone: +45 86 80 36 11
Fax: +45 86 82 90 51
E-mail: linak@linak-silkeborg.dk
Web: www.linak.dk

Finland
LINAK OY
Phone: +358 10 841 8700
E-mail: linak@linak.fi
Web: www.linak.fi

France
LINAK France E.U.R.L.
Phone: +33 (0) 2 41 36 34 34
Fax: +33 (0) 2 41 36 35 00
E-mail: linak@linak.fr
Web: www.linak.fr

Germany
LINAK GmbH
Phone: +49 6043 9655 0
Fax: +49 6043 9655 60
E-mail: info@linak.de
Web: www.linak.de

India
LINAK A/S India Liaison Office
Phone: +91 120 4531797
Fax: +91 120 4786428
E-mail: info@linak.in
Web: www.linak.in

Italy
LINAK ITALIA S.r.l.
Phone: +39 02 48 46 33 66
Fax: +39 02 48 46 82 52
E-mail: info@linak.it
Web: www.linak.it

Japan
LINAK K.K.
Phone: 81-45-533-0802
Fax: 81-45-533-0803
E-mail: linak@linak.jp
Web: www.linak.jp

Malaysia
LINAK Actuators Sdn. Bhd.
Phone: +60 4 210 6500
Fax: +60 4 226 8901
E-mail: info@linak-asia.com
Web: www.linak.my

Netherlands
LINAK Actuator-Systems B.V.
Phone: +31 76 5 42 44 40 /
+31 76 200 11 10
E-mail: info@linak.nl
Web: www.linak.nl

New Zealand
LINAK New Zealand Ltd
Phone: +64 9580 2071
Fax: +64 9580 2072
E-mail: nzsales@linak.com.au
Web: www.linak.com.au

Norway
LINAK Norge AS
Phone: +47 32 82 90 90
E-mail: info@linak.no
Web: www.linak.no

Poland
LINAK Polska
LINAK Danmark A/S (Spółka Akcyjna)
Phone: +48 22 295 09 70 /
+48 22 295 09 71
E-mail: info@linak.pl
Web: www.linak.pl

Republic of Korea
LINAK Korea Ltd.
Phone: +82 2 6231 1515
Fax: +82 2 6231 1516
E-mail: info@linak.kr
Web: www.linak.kr

Slovakia
LINAK Slovakia S.R.O.
Phone: +421 51 7563 444
Web: www.linak.sk

Spain
LINAK Actuadores, S.L.U
Phone: +34 93 588 27 77
Fax: +34 93 588 27 85
E-mail: esma@linak.es
Web: www.linak.es

Sweden
LINAK Scandinavia AB
Phone: +46 8 732 20 00
Fax: +46 8 732 20 50
E-mail: info@linak.se
Web: www.linak.se

Switzerland
LINAK AG
Phone: +41 43 388 31 88
Fax: +41 43 388 31 87
E-mail: info@linak.ch
Web: www.linak.ch - www.fr.linak.ch
www.it.linak.ch

Taiwan
LINAK (Shenzhen) Actuator systems Ltd.
Taiwan Representative office
Phone: +886 2 272 90068
Fax: +886 2 272 90096
E-mail: sales@linak.com.tw
Web: www.linak.com.tw

Turkey
LINAK İth. İhr. San. ve Tic. A.Ş.
Phone: +90 312 4726338
Fax: +90 312 4726635
E-mail: info@linak.com.tr
Web: www.linak.com.tr

United Kingdom & Ireland
LINAK UK Limited
Phone: +44 (0)121 544 2211
Fax: +44 (0)121 544 2552
E-mail: sales@linak.co.uk
Web: www.linak.co.uk

DISTRIBUTORS

Argentina
Novotec Argentina SRL
Phone: 011-4303-8989 / 8900
Fax: 011-4032-0184
E-mail: info@novotecargentina.com
Web: www.novotecargentina.com

Colombia
MEM Ltda
Phone: +[57] (1) 334-7666
Fax: +[57] (1) 282-1684
E-mail: servicioalcliente@memlda.com.co
Web: www.mem.net.co

India
Mechatronics Control Equipments India Pvt Ltd
Phone: +91-44-28558484, 85
E-mail: bala@mechatronicscontrol.com
Web: www.mechatronicscontrol.com

Indonesia
PT. Himalaya Everest Jaya
Phone: +6 221 544 8956 /+6 221 544 8965
Fax: +6 221 619 1925
Fax (Sales): +6 221 619 4658
E-mail: hejplastic-div@centrin.net.id
Web: www.hej.co.id

Israel
NetivTech LTD
Phone: +972 55-2266-535
Fax: +972 2-9900-560
Email: info@NetivTech.com
Web: www.netivtech.com

Singapore
Servo Dynamics Pte Ltd
Phone: +65 6844 0288
Fax: +65 6844 0070
E-mail: servodynamics@servo.com.sg

South Africa
Industrial Specialised Applications CC
Phone: +27 011 466 0346
E-mail: gartht@isagroup.co.za
Web: www.isaza.co.za

United Arab Emirates
Mechatronics
Phone: +971 4 267 4311
Fax: +971 4 267 4312
E-mail: mechtron@emirates.net.ae

Terms of use

LINAK® takes great care in providing accurate and up-to-date information on its products. However, the user is responsible for determining the suitability of LINAK products for a specific application. Due to continual development, LINAK products are subject to frequent modifications and changes. LINAK reserves the rights to conduct modifications, updates, and changes without any prior notice. For the same reason, LINAK cannot guarantee the correctness and actual status of imprinted information on its products.

LINAK uses its best efforts to fulfil orders. However, for the reasons mentioned above, LINAK cannot guarantee availability of any particular product at any given time. LINAK reserves the right to discontinue the sale of any product displayed on its website or listed in its catalogues or in other written material created and produced by LINAK, LINAK subsidiaries, or LINAK affiliates. All sales are subject to the 'Standard Terms of Sale and Delivery for LINAK A/S' available on LINAK websites. LINAK and the LINAK logotype are registered trademarks of LINAK A/S. All rights reserved.